

HAZEMAG



HAZEMAG Multi-Functional Loader | HMF 1200





Ideal machine for maintenance in medium-profile roadways

The Multi-Functional Loader HMF 1200 is the universal multipurpose loader for mining. Equipped with the side tipping bucket with a volume of 1.2 m³, it's the ideal loading machine for medium-profile roadways.

The high drive output allows short loading cycles even in steeply inclined roadways. The swivelling boom with a boom extension of 900 mm allows loading without moving the crawler. Thus damage to the roadway floor and wear of crawler components are significantly reduced.

The rugged design and use of components which have been tried and tested over many years of operation ensure a high machine availability and low running costs even under difficult working conditions. The modular design makes for rapid machine assembly and deployment at the operating site and greatly facilitates servicing and maintenance.

A unique quick coupling device allows attachment of various tools and use of the HMF 1200 as multi-purpose machine.

The hydraulic control system offers following advantages:

- uniform and smooth tramming
- automatic speed limitation in inclined roadways
- long service life of the tramming drives
- high operating reliability.

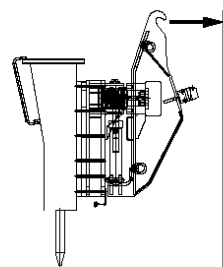
Technical data: Multi-Functional Loader HMF 1200

| | |
|-------------------------------------|---|
| Pump flow | 230 l/min |
| Bucket capacity | 1.2 m ³ |
| Drive power | 63 / 75 kW |
| Tramming speed | 1.34 m/s |
| Gradeability (longitudinal) | ±20 degrees |
| Gradeability (transverse) | ±8 degrees |
| Width | 1,560 mm |
| Height (without protective cover) | 1,355 mm |
| Height (with protective cover) | 1,961 mm |
| Total weight (approx.) | 14,900 kg |
| Ground pressure | 0.12 MPa |
| Swivelling angle boom | 20 degrees |
| Boom extension | 900 mm |
| Discharge height | 2,157 mm |
| Breaking force at bucket tooth | 71 kN |
| Penetrating force (horizontal) | 150 kN |
| Attachments (quick coupling device) | <ul style="list-style-type: none"> ■ hydraulic rock drill ■ hydraulic gas/long hole drill rig ■ cutter head ■ hydraulic breaker |
| Accessories | <ul style="list-style-type: none"> ■ auxiliary winch ■ cable reel ■ protective roof |

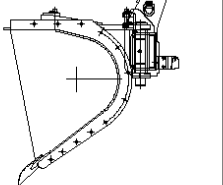




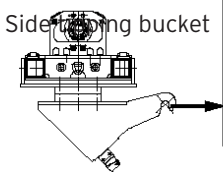
HMF 1200 Attachments



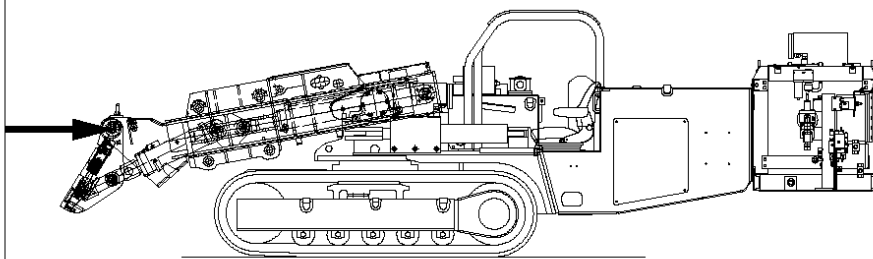
Hydraulic breaker



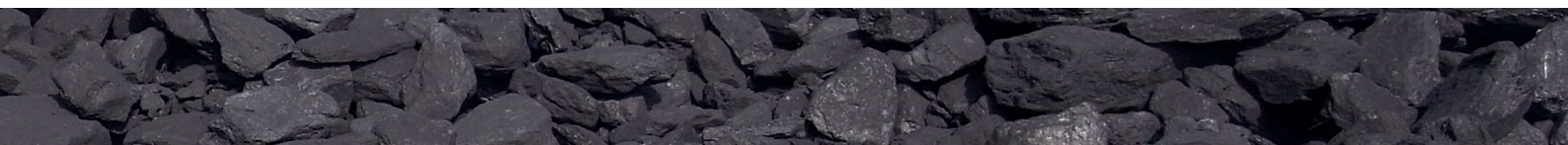
Side loading bucket



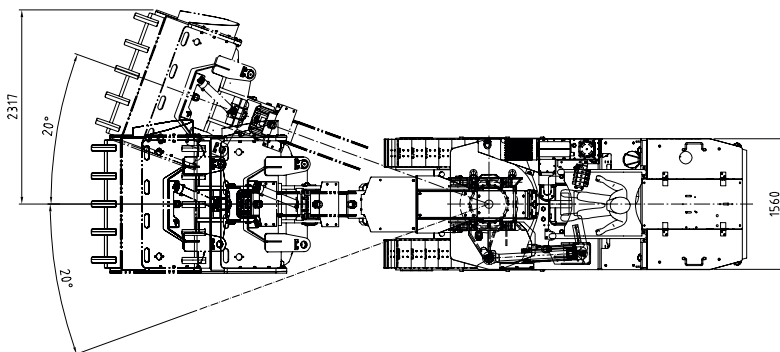
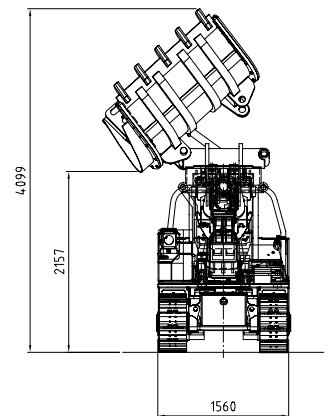
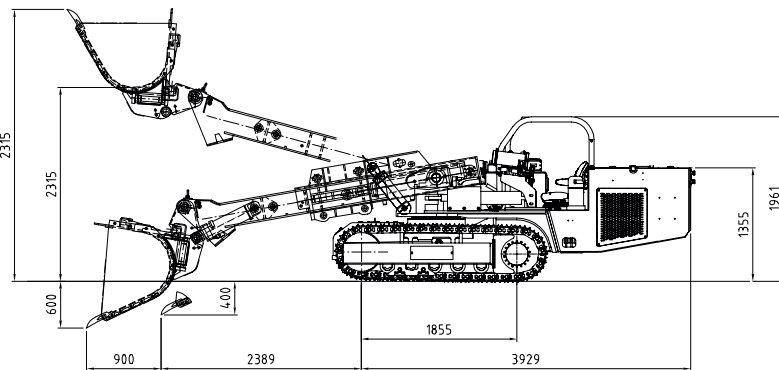
Manipulator



HMF 1200 attachments



HMF 1200 Dimension



HMF 1200